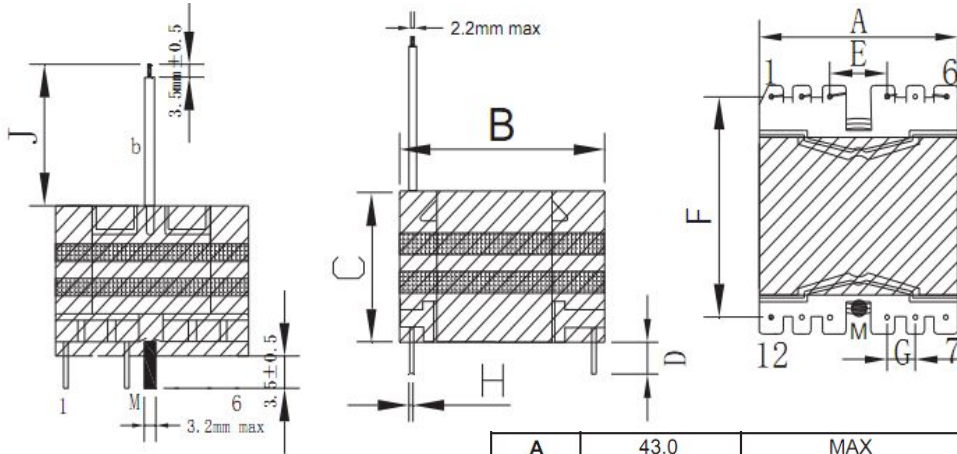


CUSTOMER TERMINAL	ROHS	Lead(Pb)-free
	YES	YES

## 1. Mechanical Dimensions



## 3. Material List

Core:FW44 PQ4025

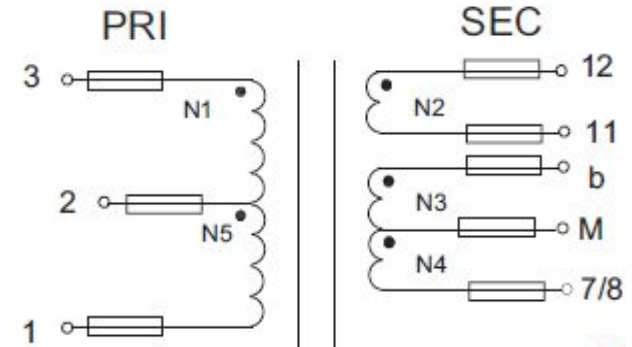
Bobbin:PQ4025(6+6PIN)

Wire: TIW LITZ 2UEW

Copper foil:0.025t\*8.0mm

Operating Temperature: -30 to115 °C

## 2. Schematic Diagram



## 4. Electrical Specification

Inductance :  $L(1-3):1200\mu H \pm 5\%$  30KHZ , 1.0V

Leakage Inductance : 26.6 $\mu H$  MAX 30KHZ , 1.0V

DCR : (1-3)=0.456 $\Omega$  MAX (11-12)=104.6m $\Omega$  MAX

Hi-Pot:P-S: AC 60Hz 4000V 1mA 3S

S-CORE: AC 60Hz 500V 1mA 3S

REV.	DATE	<p>Convention Placement</p>	DRW.		Drawing Title:	Part No:
0	00/00		CHK.			
				APP.		Customer P/N

**ROHS**

[www.ferriwo.com](http://www.ferriwo.com)